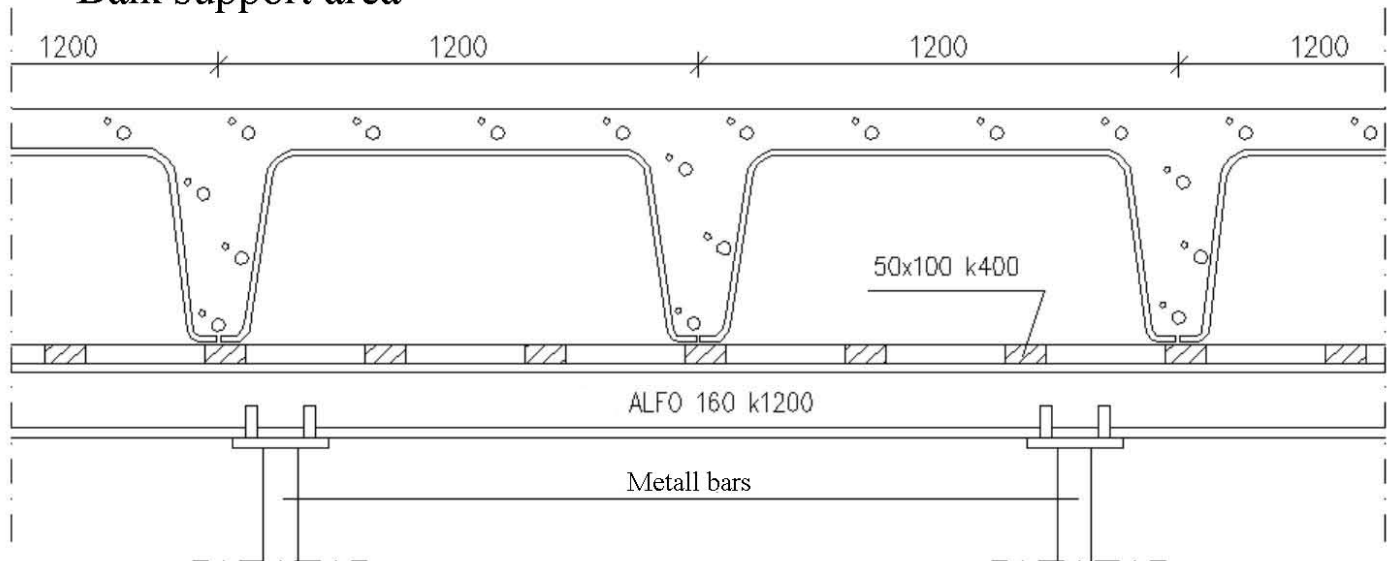
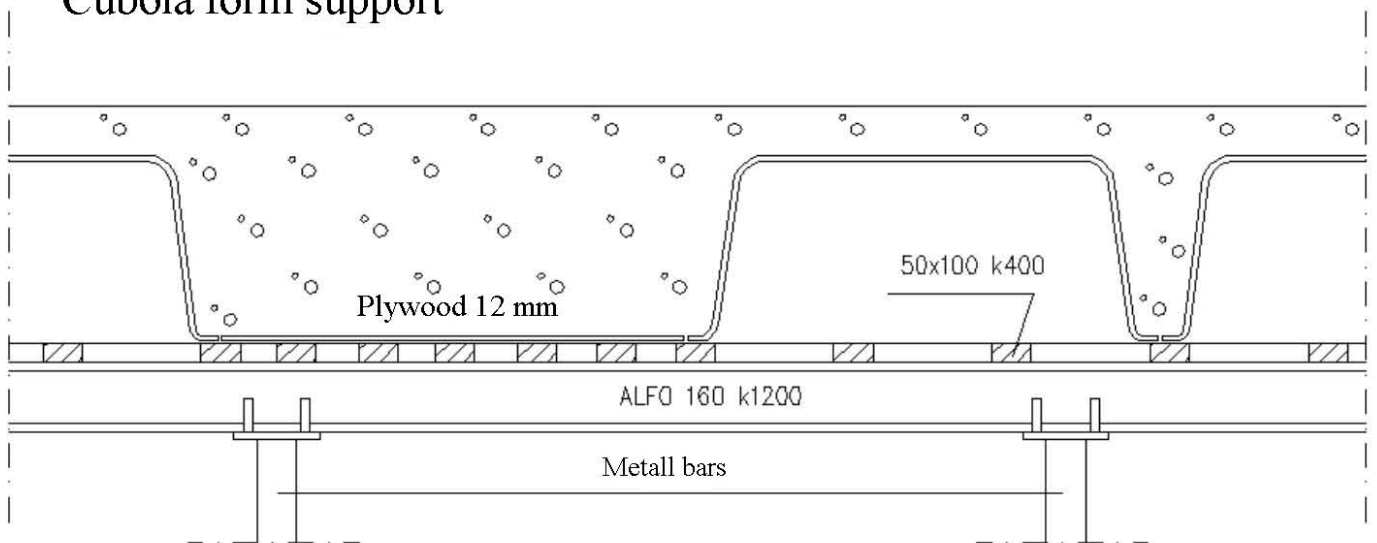


Cubola form

Balk support area



Cubola form support



Type	Span/mm	Bar load
C16/20 (K20)	2450	19,10 kN
C25/30 (K30)	2200	20,90 kN
C40/50 (K50)	2000	23,50 kN
C50/60 (K60)	1950	25,70 kN